

4K (8MP) IP Vandal Resistant IR Dome Camera

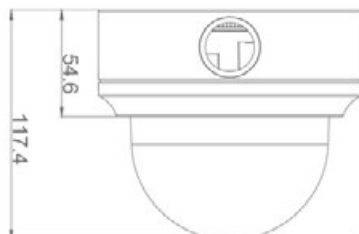
SY-VRD2.3-IRS-TTL / SY-VRD2.6-IRS-TTL*1

The Synectics 4K Vandal Resistant Dome matches amazing picture performance with compact aesthetics.



The Synectics 4K (8MP/UHD) IP multi-stream fixed dome IR camera is equipped with a Sony Exmor progressive scan CMOS sensor, providing outstanding video resolution and the capability to stream H.264 and H.265 simultaneously.

The vandal-resistant dome provides real-time 4K 30fps simultaneously with a second stream. A 2.3x or 2.6x zoom lens and ONVIF Profile S, G, and T compliance ensure easy setup, while IR LEDs, and ratings of IP66 and IK10, guarantee optimum performance under challenging conditions.



4K UHD	REAL TIME	ONVIF S	2.3x ZOOM
60 FPS	IR 40m	ONVIF G	2.6x ZOOM
H.265	TWDR	IK10	REMOTE AF / ZOOM
H.264	A • F	IP66 RATED	BACKFILLING
INTELLIGENT EDGE RECORDING	AAC	TAMPER DETECTION	POWER FAILOVER

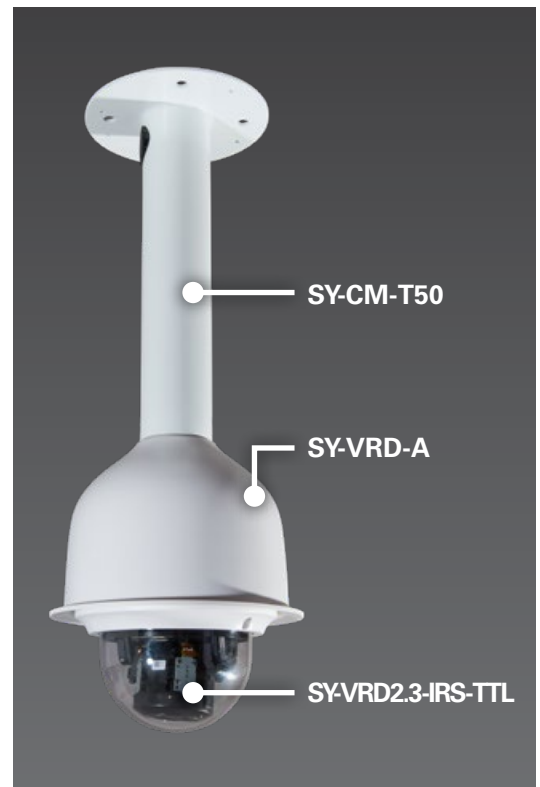
Specifications

CAMERA	SY-VRD2.3-IRS-TTL	SY-VRD2.6-IRS-TTL ¹
Image Sensor	8MP Sony 1/1.8" Progressive CMOS	
Effective Pixels	3840 (H) x 2160 (V)	
Resolution	H.265/H.264 - 3840 X 2160 4K (UHD) / 1080P / SXGA / HD 720P / XGA / qHD / SVGA / D1 / VGA / CIF / QVGA. MJPEG - 1080P / SXGA / HD 720P / XGA / qHD / SVGA / D1 / VGA / CIF / QVGA	
Min Illumination Color	0.04 lux	
Min Illumination Black and White	0.002 lux (0.0 lux IR LED ON)	
Shutter Speed	1 ~ 1/10000 Second	
LENS		
Lens Mount	N/A	
Lens	2.3x AF / 4.5~10 mm	2.6x AF / 11~28 mm
FOV	Approx HFOV: 101.7° (Wide), 46° (Tele) Approx VFOV: 53.9° (Wide), 25.9° (Tele)	Approx HFOV: 38.5° (Wide), 15.5° (Tele) Approx VFOV: 22° (Wide), 8.9° (Tele)
f Number	F1.7 (Wide): F2.6 (Tele) ±5%	F1.5 (Wide): F1.6 (Tele) ±5%
P Iris	Y	
Focus Mode	Push AF, Zoom Trigger AF, Manual	
Digital Zoom	10x	
PTZ OPTIONS		
Pan Travel	N/A	
Tilt Travel	N/A	
Manual Speed	N/A	
Presets	N/A	
Preset Accuracy	N/A	
Preset Speed	N/A	
Sequence	N/A	
Auto Pan	N/A	
Cruise	N/A	
Proportional Pan/Tilt	N/A	
Home Function	N/A	
Auto Flip	N/A	
Image Rotation	Mirror / 0° / 90° / 180° / 270°	
STREAMING OPTIONS		
Compression	H.265 / H.264	
ONVIF Profile	S / G / T	
Stream	NTSC: H.265/H.264 - 4K @30fps + H.265/H.264/MJPEG 960 X 544 @30fps PAL: H.265/H.264/ 4K @25fps + H.265/H.264/MJPEG 1080p @25fps	
Stream 1 Max Resolution and Max FPS	NTSC: H.265/H.264/ 4K @30fps PAL: H.265/H.264/ 4K @25fps	
Stream 2 Max when Stream 1 is set to Max Resolution and FPS	NTSC: H.265/H.264/MJPEG 960 X 544 @30fps PAL: H.265/H.264/MJPEG 1080p @25fps	
Stream 1 "Standard" Resolution and FPS	NTSC: H.265/H.264/ 4K @30fps PAL: H.265/H.264/ 4K @25fps	
Stream 2 Max when Stream 1 is set to "Standard" Resolution and FPS	NTSC: H.265/H.264/MJPEG 960 X 544 @30fps PAL: H.265/H.264/MJPEG 1080p @25fps	
Stream 1 1080p Resolution and Max FPS	NTSC: H.265/H.264/MJPEG 1080p @60fps PAL: H.265/H.264/MJPEG 1080p @50fps	
Stream 2 Max when Stream 1 is set to 1080p Resolution and Max FPS	NTSC: H.265/H.264/MJPEG 1080p @60fps PAL: H.265/H.264/MJPEG 1080p @50fps	
Stream 1 1080p Resolution "Standard" and Max FPS	NTSC: H.265/H.264/MJPEG 1080p @60fps PAL: H.265/H.264/MJPEG 1080p @50fps	
Stream 2 Max when Stream 1 is set to 1080p Resolution "Standard" and Max FPS	NTSC: H.265/H.264/MJPEG 1080p @60fps PAL: H.265/H.264/MJPEG 1080p @50fps	
Min/Max Bitrate	64 / 20480 (kbps)	
Max Number Unicast Streams	17	

OPERATION	SY-VRD2.3-IRS-TTL	SY-VRD2.6-IRS-TTL*1
ICR		Auto / On / Off / Smart
LED Numbers		8
LED Distance		Up to 40m
White Balance		Auto / ATW / One Push / Manual
NR		3D / 2D / Color
BLC		On / Off
WDR		True WDR (120dB)
DIS / EIS		N/A
Motion Detection		On / Off / Schedule
Privacy Mask Type		8 Colors / 5 sets
Tamper Alarm		On / Off / Schedule
Audio Type		Line in / Line Out: 5 of 9 Pin Terminal Block
Audio In		G.711 / G.726 / AAC / LPCM
Audio Out		G.711 / G.726 / AAC / LPCM
Audio Sample Rate		ACC: 48000 (Other: 8000)
Analog Out		Y (Requires optional part SY-IPCA-BNC =>Rev.1)
Heater		Y
Fan		N/A
Alarm Input		1 Set 5V 10kΩ Pull Up
Alarm Output		1 Set Photo Relay Output 300V DC/AC
Event Notification		HTTP / FTP / SMTP
On Board Storage		300MB RAM (For Future Use)
SD Card Support		microSDXC 128GB Support (Support for microSD / microSDHC / microSDXC card)
Ethernet Connector		RJ-45 Cable
Power Connector		2 Pin Terminal Block
I/O connector		4 of 9 Pin Terminal Block
Protocol		ARP, PPPoE, IPv4/v6, ICMP, IGMP, QoS, TCP, UDP, DHCP, UPnP, SNMP, SMTP, RTP, RTSP, HTTP, HTTPS, FTP, NTP, DDNS, ONVIF S, ONVIF G, ONVIF
Security		User Authentication / HTTPS / IP Filter / IEEE 802.1X
ENVIRONMENTAL		
Operating Temperature		-55°C ~ 55°C (-67° ~ 131°F)
Storage Temperature		-20°C ~ 70°C (-4°F ~ 158°F)
Humidity		10% ~ 90%, No Condensation
Vandal Resistant		IK10
IP Rating		IP66
GENERAL		
Power		AC24V / PoE(802.3at) / DC12V
Power Priority 1		AC
Power Priority 2		PoE
Power Priority 3		DC
Power Failover		AC to DC / DC to AC / PoE to DC / DC to PoE / Not supported between AC and PoE.
PoE Classification		PoE IEEE802.3af, Class 0
"Power Consumption (Total Unit)"		Max DC: 12.96W Max AC: 12.3W PoE Max: 12.33W
Dimensions		∅ 133.8x117.4 mm / (∅ 5.2" x 4.6")
Weight		765 g (1.69 lb)
Certificates		CE / FCC
REPLACEMENT PARTS		
SY-VRD-CC		Clear bubble and trim ring
SY-VRD-SC		Smoked bubble and trim ring
SY-VRD-BB		Back housing section only (no bubble, no trim ring, no camera module)

NOTE: *1 Special order - Minimum Order Quantities apply. *2 If multiple power inputs are to be used simultaneously on the camera (such as AC power + PoE or DC power + PoE) all power supplies must be isolated power supplies. If non-isolated power supplies are deployed, they must be used in conjunction with appropriate isolation between each individual camera and the non-isolated power supply.

PRODUCT	Description	Indoor / Internal Only	Outdoor / External*4
SYVRD-ICM	In Ceiling Mount (Flush Mount Adaptor)	✓	
SYVRD-WM	Indoor Plastic Wall Mount for SYVRD Series	✓	
SYVRD-A	Adaptor to allow Wall / Pendant and Universal connector Mounts		✓
SY-CM-P	Standard Wall / Pendant Mount		✓
SY-CM-MP	Mini Wall / Pendant Mount		✓
SY-CM-T25	25cm Pole	✓	
SY-CM-T50	50cm Pole	✓	
SY-CM-T100	100cm Pole	✓	
SY-CM-15NTP	Synectics to 15NTP Universal adaptor		✓
SY-CM-WMB	Wall Mount Box		✓
SY-CM-CWM	Corner Mount Box		✓
SY-CM-PMB	Pole Mount Box		✓



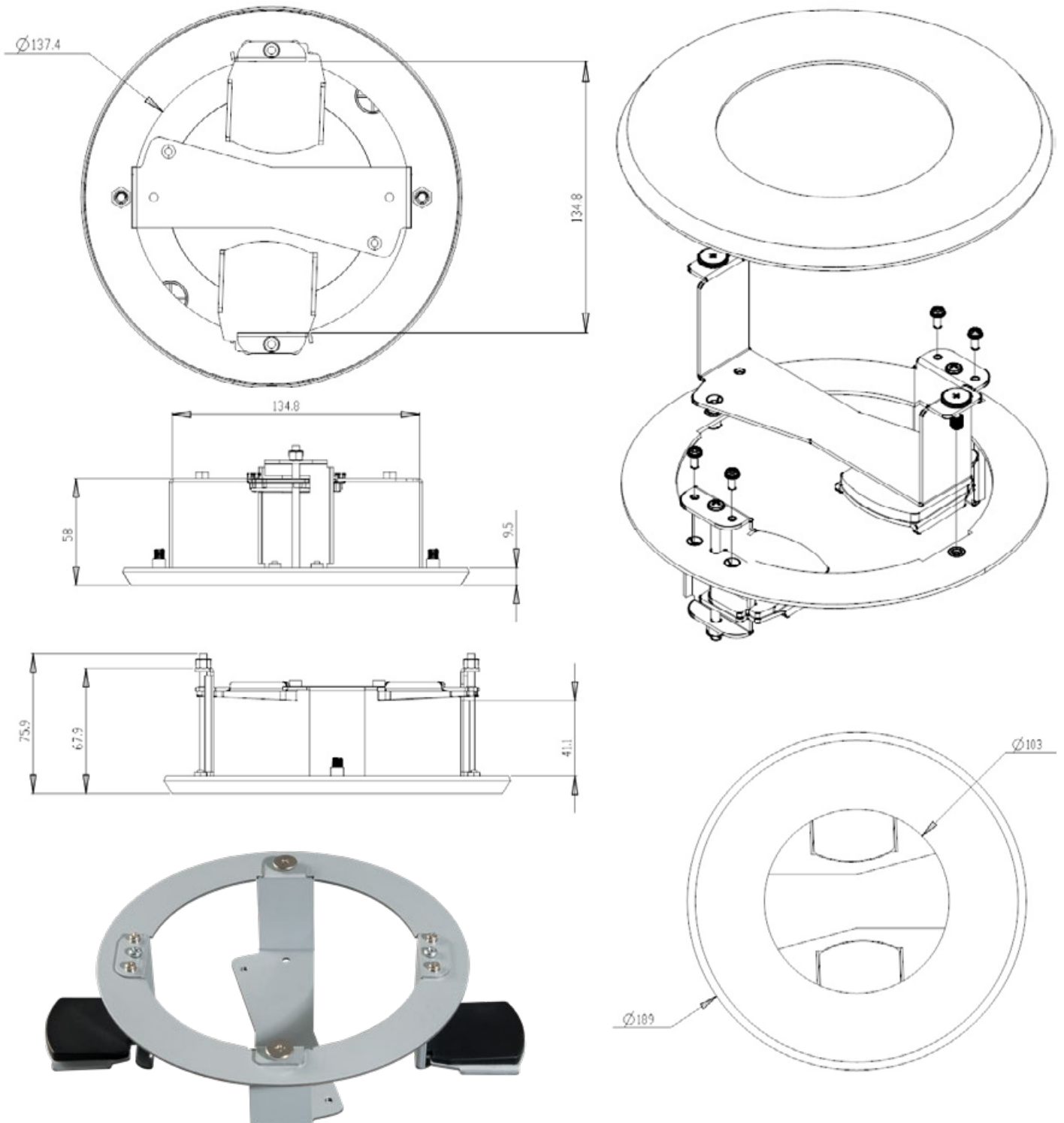
*4 Camera and accessories can be used for internal configuration.

The following are required in combination with other accessories for mounting requirements.

PRODUCT	SY-VRD-A	SY-CM-P	SY-CM-MP	SY-CM-T25	SY-CM-T50	SY-CM-T100	SY-CM-15NTP	SY-CM-WMB	SY-CM-CWM	SY-CM-PMB
Wall Mounting	Required	✓	✓					✓	✓	✓
Pole Mounting	Required			✓	✓	✓				
Non-Synectics Bracketry	Required						Required			

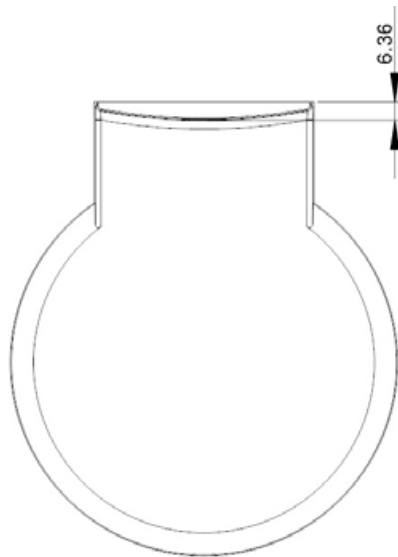
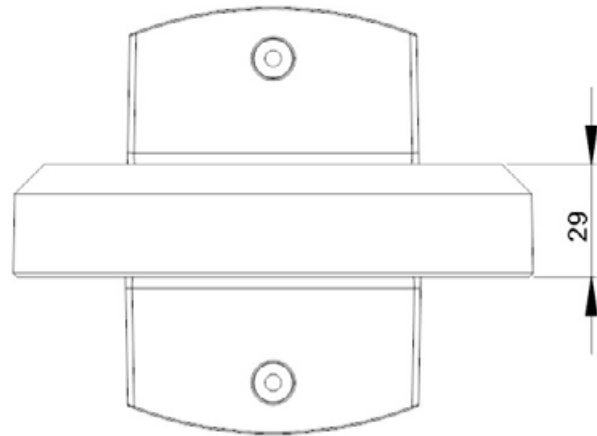
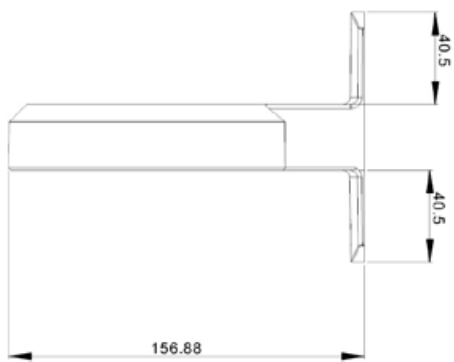
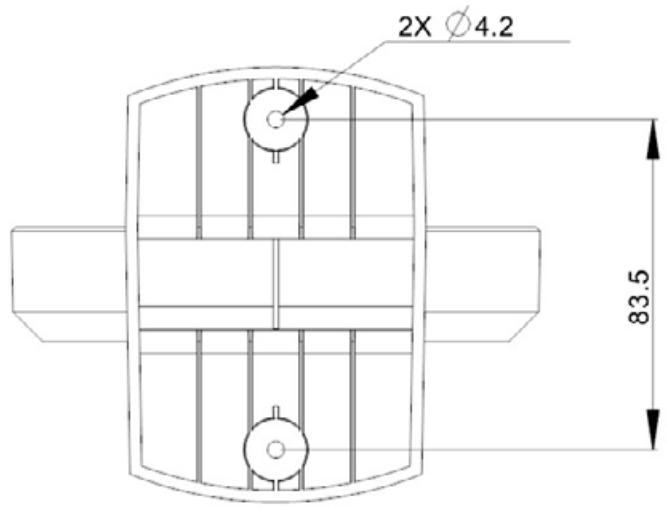
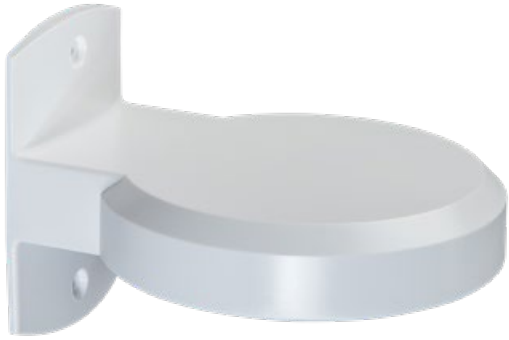
Accessories

IN CEILING MOUNT — SY-VRD-ICM

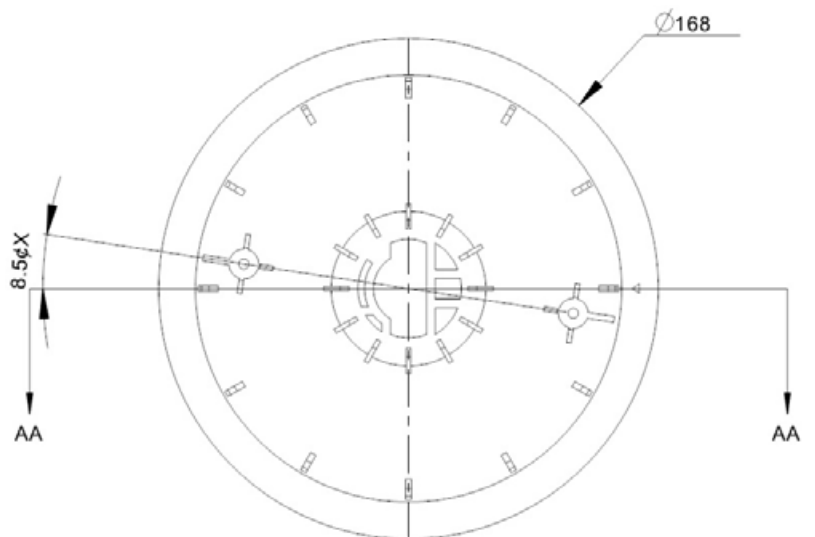
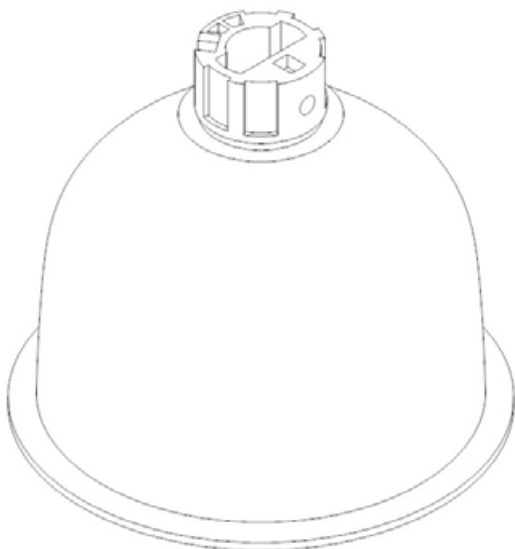
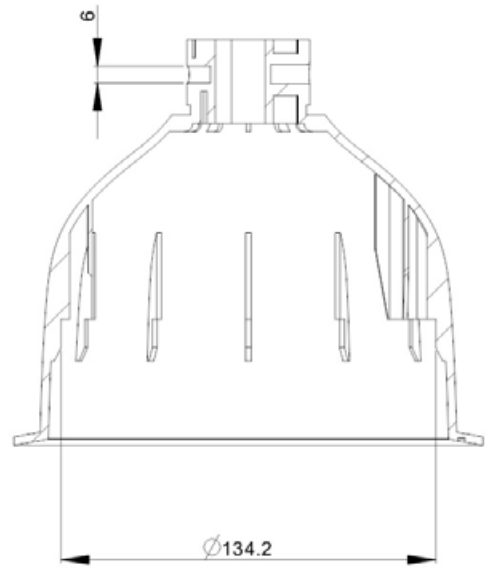
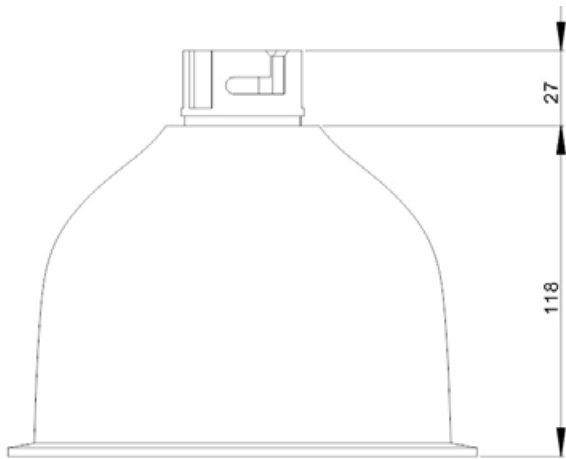


Cut hole size: 160 mm

WALL MOUNT — SY-VRD-WM



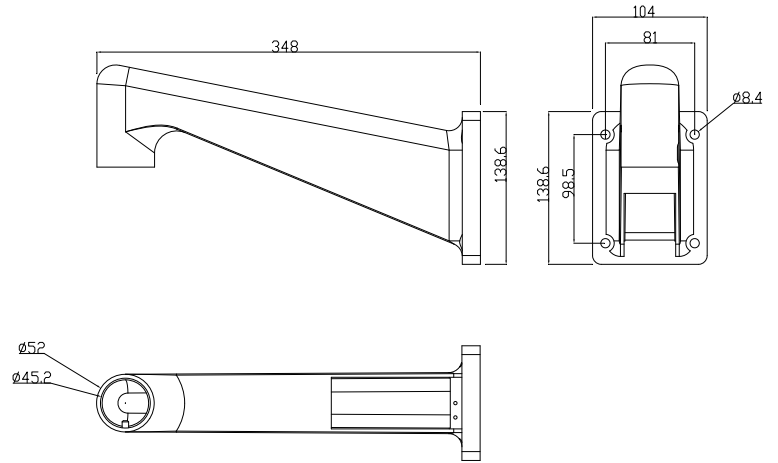
DOME ADAPTOR — SY-VRD-A



STANDARD WALL MOUNT — SY-CM-P

Dimensions (L x W x D) 348 x 104 x 138.6 mm / 13.70 x 4.09 x 5.45"

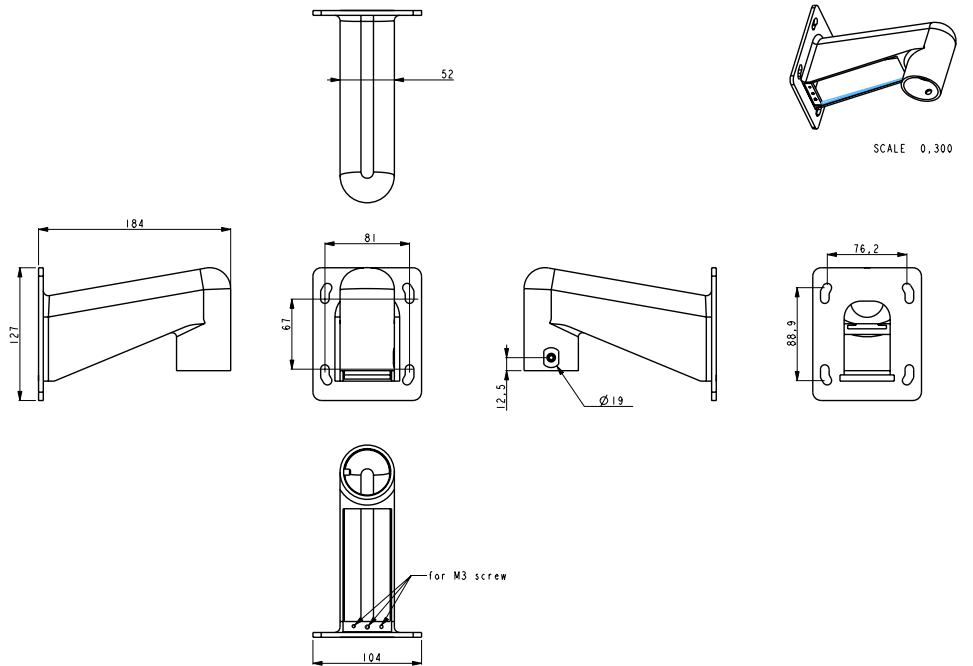
Weight 1.5 kg / 3.3 lbs



MINI WALL MOUNT — SY-CM-MP

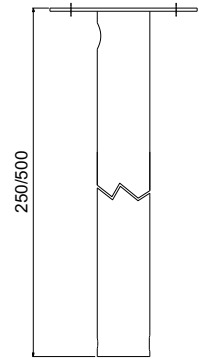
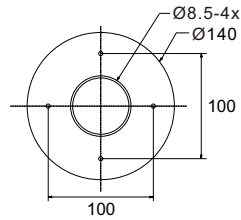
Dimensions (L x W x D) 184 x 104 x 127 mm / 7.24" x 4.09 x 5"

Weight 0.6 kg / 1.32 lbs



STRAIGHT TUBE — SY-CM-T25 / T50 / T100

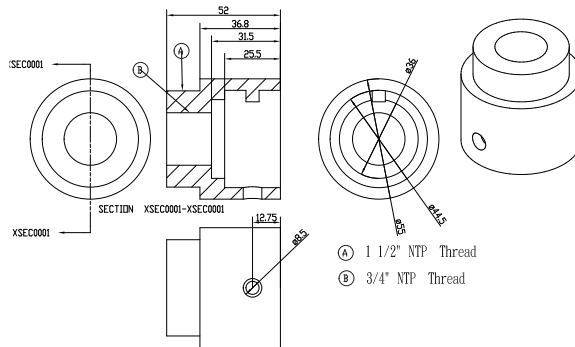
Height	250 mm / 9.8 " 500 mm / 19.7 " 1000 mm / 39.37 "
Diameter	50 mm / 2 "
Weight	1.0 kg (2.2 lbs) / 1.8 kg (4.0 lbs)



Unit: mm

1.5" NPT MOUNT ADAPTOR COMPATIBLE WITH PELCO CAMERA POLES — SY-CM-15NPT

Dimensions	Φ55 x 52 mm / 2.16 x 2.04 "
------------	-----------------------------

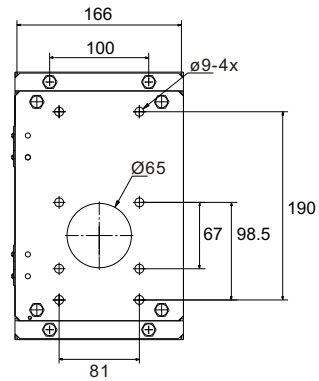


- Ⓐ 1 1/2" NPT Thread
- Ⓑ 3/4" NPT Thread

WALL MOUNT BOX — SY-CM-WMB

Dimensions (L x W x D) 270 x 166 x 95 mm / 10.62 x 6.53 x 3.74"

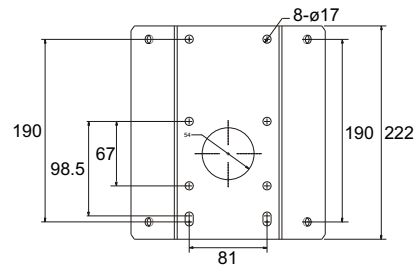
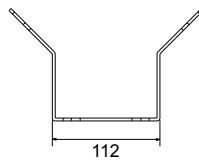
Weight 2.2 kg / 4.9 lbs



CORNER MOUNT BOX — SY-CM-CWM

Dimensions (L x W x D) 222 x 204 x 117 mm / 8.74 x 8.03 x 4.60"

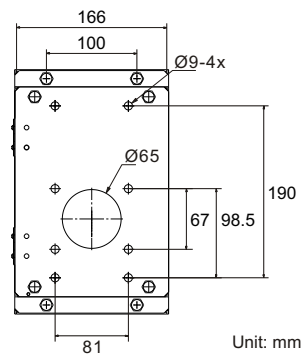
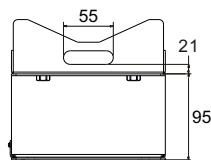
Weight 2.0 kg / 4.4 lbs



POLE MOUNT BOX — SY-CM-PMB

Dimensions (L x W x D) 270 x 166 x 155 mm / 10.62 x 6.53 x 6.10"

Weight 3.2 kg / 7.1 lbs



Unit: mm